

BLUETOOTH® INDICATOR WITH 0.1 μm RESOLUTION

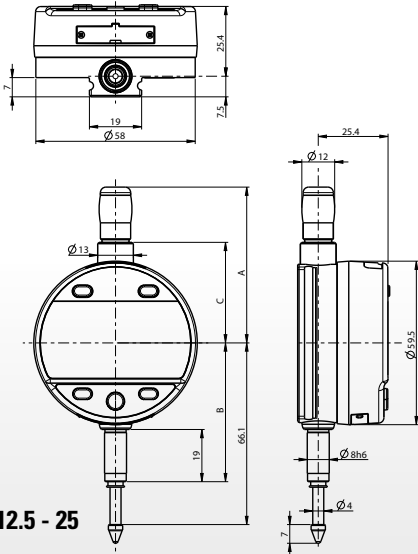
The new **S_Dial WORK** Analog Nano Bluetooth® :
New smart indicator combining high resolution and accuracy,
analog scale and built-in Bluetooth® transceiver; All in one!



S_Dial **WORK** Analog Nano Bluetooth®

- **Built-in Bluetooth® 4.0**
- Resolution 0.1 μm
- **Broad choice of functions**
- Maximum error of 1.8 μm
- **Adaptative analog display**
- Automatic wake-up and sleeping mode

S_Dial WORK Analog Nano Bluetooth®



S 12.5 - 25



TECHNICAL SPECIFICATIONS

Specifications	805.6307	805.6507
Measuring range	12.5 mm	25 mm
Resolution	0.0001 mm	
Max. error fe	1.8 μm	2.2 μm
Repeatability	0.5 μm	
Model type**	S	
A	56.6 mm	69.3 mm
B	66.1 mm	79 mm
C	36.6 mm	49.4 mm
Standard measuring force	0.65 - 0.90 N	0.65 - 1.15 N
Connection	USB / RS232 / Bluetooth® 4.0*	
Programmable by pc	●	
Standard functions (customizable by pc)	mm/inch, preset (max 99.9999), min/max/delta, tolerances, resolution, measuring direction, multiplier, automatic/manual extinction, keylock	

**S = Standard

* Up to 8 instruments connected per dongle #981.7100
More informations on How to use Bluetooth® leaflet SYL_1401_EN_BT

SWISS MADE

Available on the App Store

GET IT ON Google play

