



DIGITAL INDICATOR Ø45MM

**S\_DIAL MINI**

Discover our brand new S\_Dial Mini : the smallest digital indicator in the world with integrated Bluetooth® technology and IP67 protection.

**Ø45****Small diameter**

Small dial diameter of 45mm with bigger display for easy reading.

**Many functions**

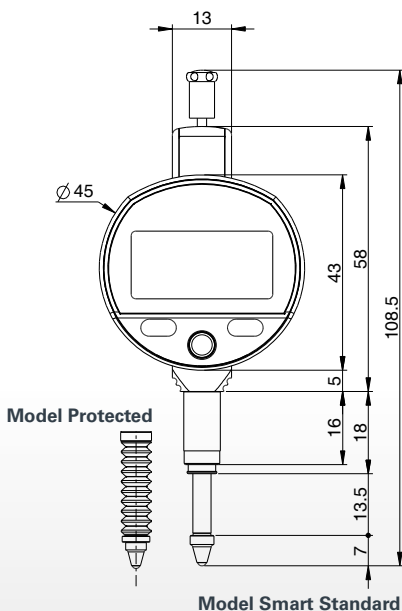
Analogical scale, Preset, min/max/ delta and more on Smart models.

**Ø8-h6**

Standard clamping stem Ø8-h6 and interchangeable contact point.

## TECHNICAL FEATURES

- Compact, small diameter (Ø45 mm)
- Improved mechanical design
- Water and coolant resistant, protection rating IP54 or IP67 according to IEC 60529 (depends on model)
- Data output RS 232 combined with external power supply and Bluetooth® (depends on model)
- Interchangeable contact point M2.5
- Clamping stem Ø 8-h6 of hardened and ground stainless steel. Dovetail back
- Automatic power shut down



## TECHNICAL DATA

Models Smart		805.6121	805.6123	805.6125	805.6523	805.6521	805.6525
Measuring range	mm	12.5	12.5	12.5	12.5	12.5	12.5
Analogic scale		✓	✓	✓	✓	✓	✓
Lifting cap		✓	---	---	---	✓	---
Resolution	mm	0.01	0.01	0.01	0.001	0.001	0.001
Output data		Bluetooth® wireless Technology/USB/RS232					
Execution		Standard	Standard	Protected	Standard	Standard	Protected
Protection		IP67	IP67	IP67	IP67	IP67	IP67

Models Basic		805.4121	805.4125	805.4521	805.4525
Measuring range	mm	12.5	12.5	12.5	12.5
Analogic scale		---	---	---	---
Lifting cap		✓	---	✓	---
Resolution	mm	0.01	0.01	0.001	0.001
Output data		USB/RS232			
Execution		Standard	Protected	Standard	Protected
Protection		IP54	IP67	IP54	IP67

**The new S\_Dial Mini, when size matters !**