


NOW WITH BLUETOOTH® TECHNOLOGY

HI_GAGE ONE SMART

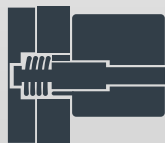


POWER

PROXIMITY

 Bluetooth®

Our new Hi_Gage ONE Smart is now equipped with our very popular Bluetooth® data transmission system, making it the first height measuring and scribing instrument connectable wirelessly on the market !



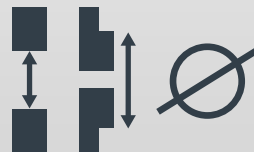
New blocking system

Your measurements made easier and faster thanks to the new secured blocking system.



IOT ready

You can now choose between 3 Bluetooth® connection profiles, manage the battery life, the calibration and much more...

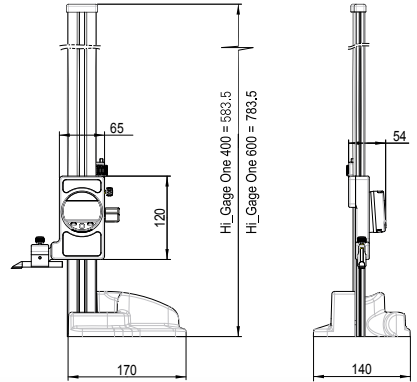


Up and down measurements

You can easily measure groove width, distance or diameter.

TECHNICAL FEATURES

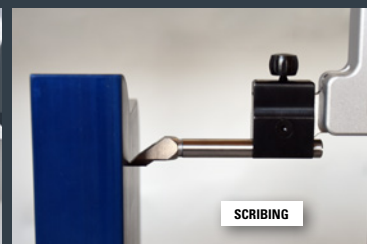
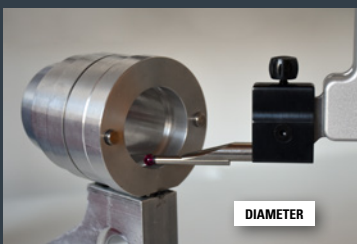
- First height measuring and scribing instrument with Bluetooth® wireless technology
- Intuitive functions
- New blocking system
- 400 and 600mm versions
- Robust mechanics
- Proximity, Power and Bluetooth® data outputs
- Introduction of a constant value



TECHNICAL DATA

Specifications	840.0406	840.0606
Measurement range	400mm	600mm
Resolution	0.01mm	0.01mm
Max. error	40µm	50µm
Repeatability	10µm	10µm
2 references	✓	
PRESET	9999.99mm	
Selection of measuring direction	✓	
Smart inductive Sensor (S.I.S)	✓	
Output data	Bluetooth® wireless technology / RS232 / USB	

APPLICATION EXAMPLES



Discover the benefits of the new Hi_Gage ONE Smart, **you will love it!**