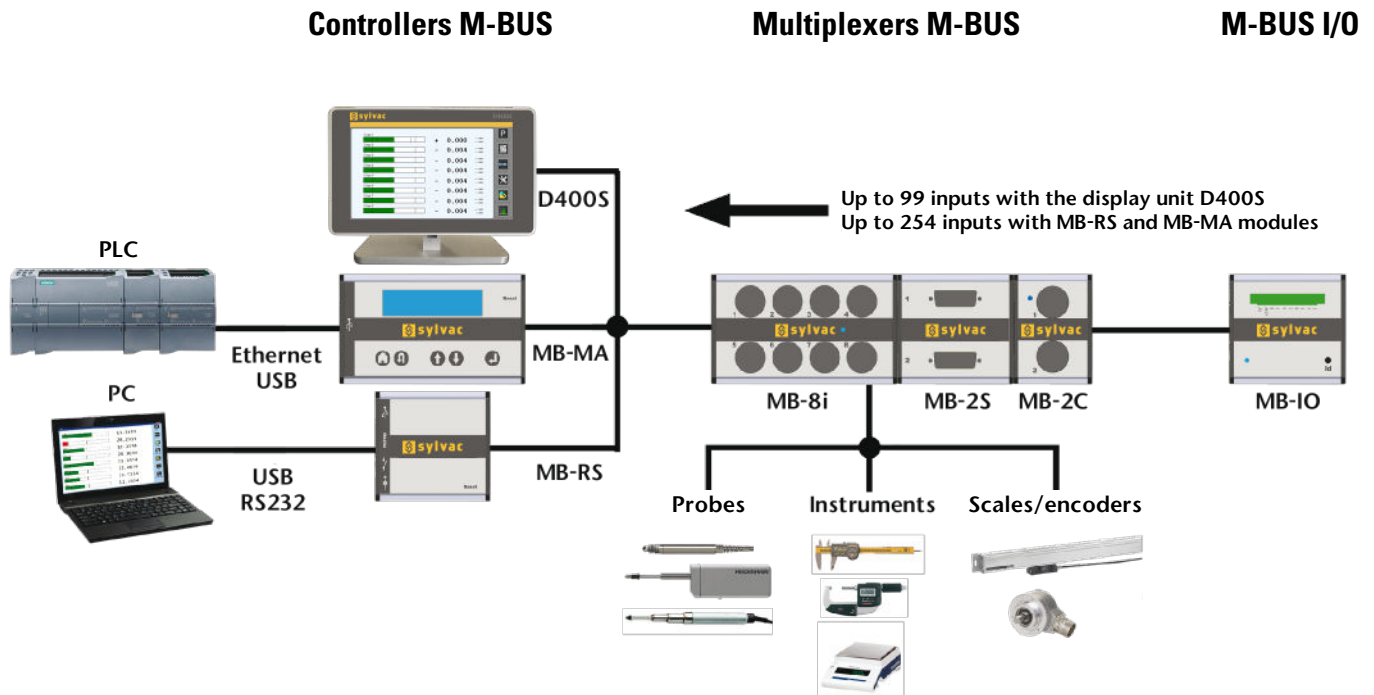


Connection principle general M-Bus



Description

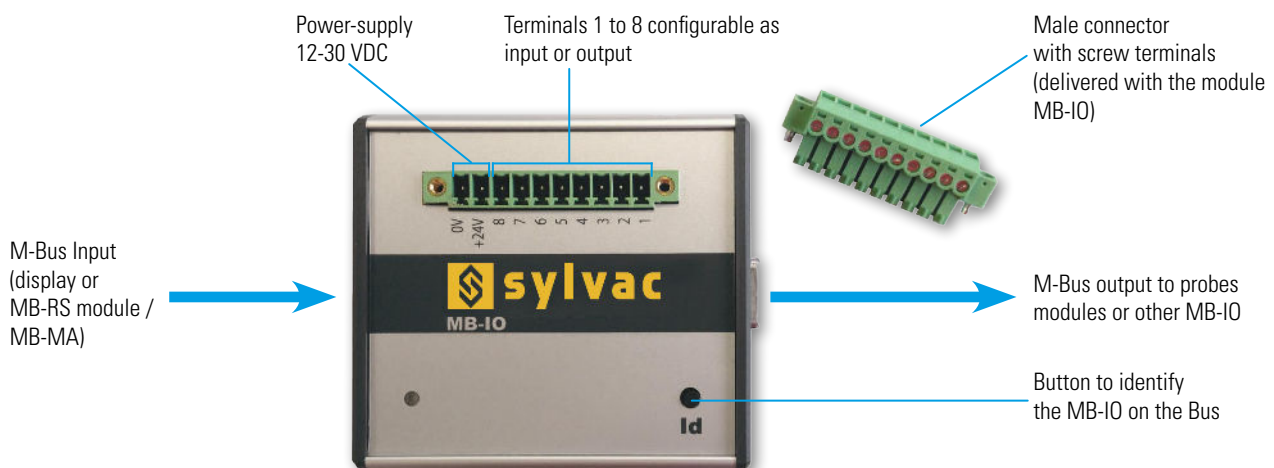
The MB-IO module allows to connect external devices to M-Bus network (actuators, safety, PLC...). 8 inputs/outputs isolated by optocoupler are available.

The outputs are similar to «PNP open collector» type and can be used with an external power-supply from 12 to 30 volts max. The maximal drained stream of each output is 50mA.

The inputs represent a charge of 2.2 Kohms connected to 0 volt.

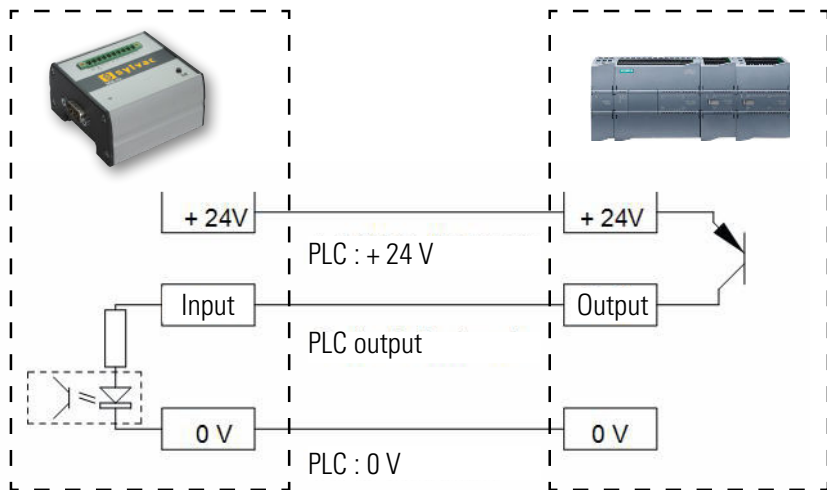


Cabling

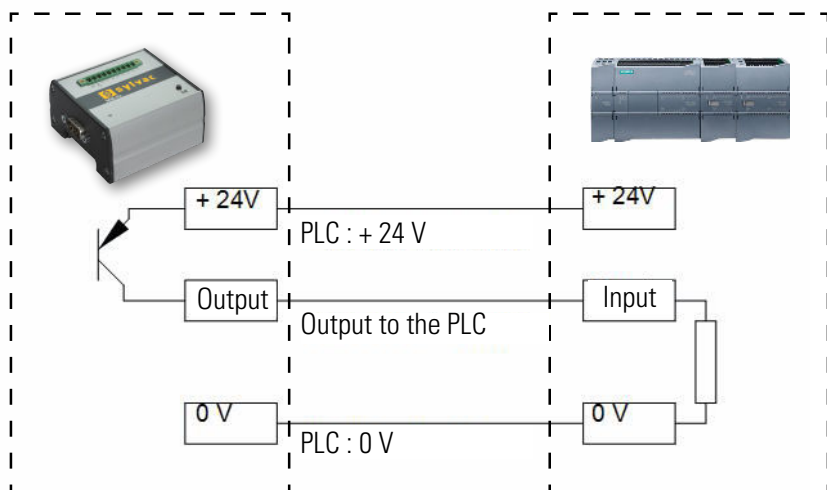




Connection example with a PLC



PLC output connected on an entry from MB-IO module



MB-IO module output connected to a PLC input

Mechanical characteristics and assembly

The M-Bus modules are made with a sturdy aluminium profile, declined in several lengths described in the dimension table below.

All M-Bus modules are attached on a standard DIN rail, width 35mm and height 7.5mm.



Module	Length	Height	Width
MB-PS, MB-2C, MB-BA	51mm	40mm (without connectors)	74mm
MB-IO, MB-2M, MB-4M, MB-4C, MB-2S, MB-2T, MB-RS	76mm		
MB-4D, MB-8D	96mm		
MB-8I, MB-MA	126mm		