



sylvac sa

CH-1023 Crissier (Suisse)

e-mail : vente @ sylvac.ch
sav @ sylvac.ch
web site : www.sylvac.ch

Ref. Nr:

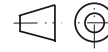
PM 279.010.080

Rev. Date Visa

- 23-Mar-15 MTr

Available for:

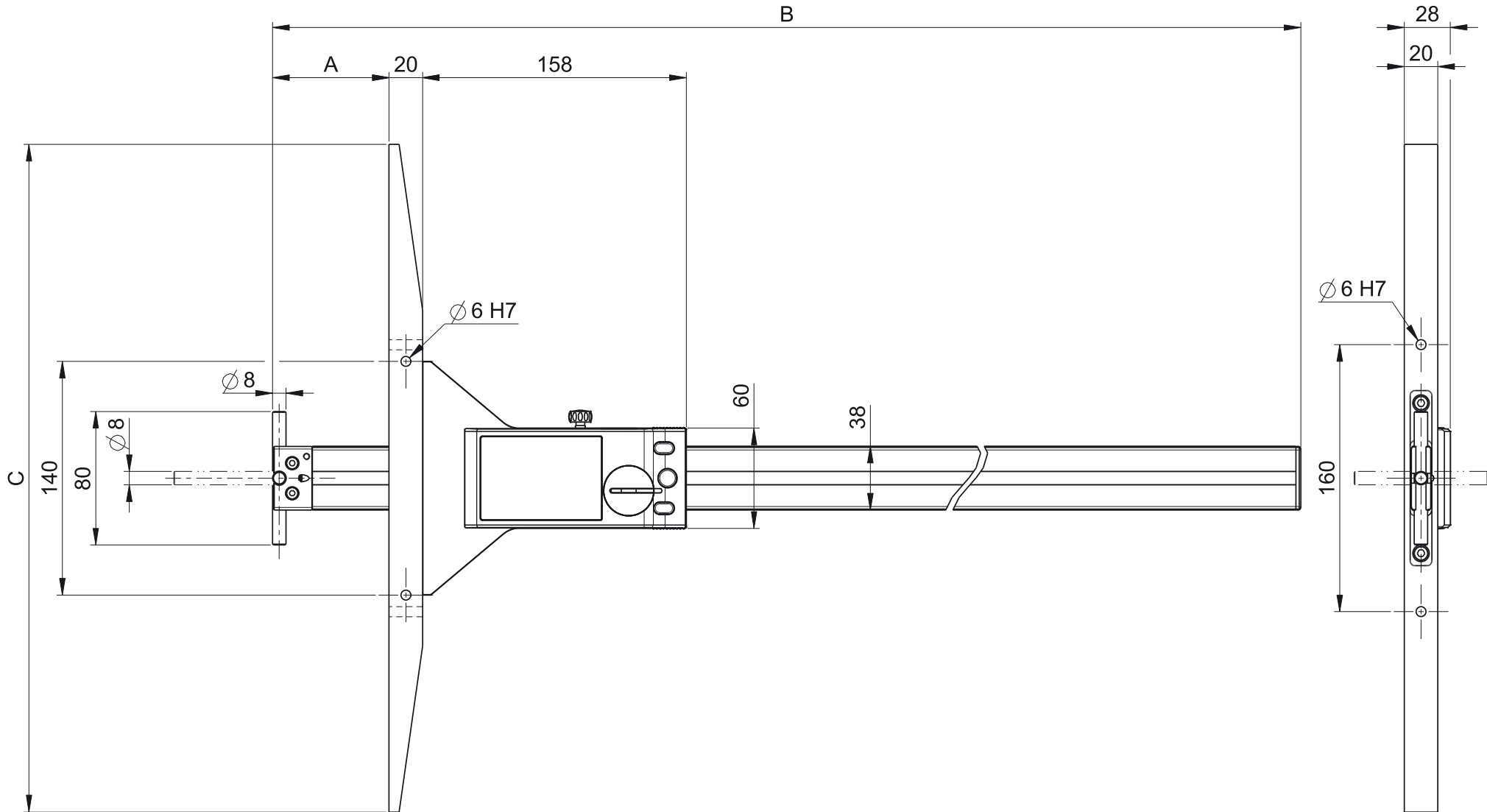
811.6100
811.6150



Dimensions in mm

Type	A	B	C
1000mm / 40"	0 - 1030	1242	400 or 600
1500mm / 60"	0 - 1545	1757	

Encombr. UL IV - 1000
type V



Modèle:279_010_007_{prt/asm} Dessin:279_010_080 .drw