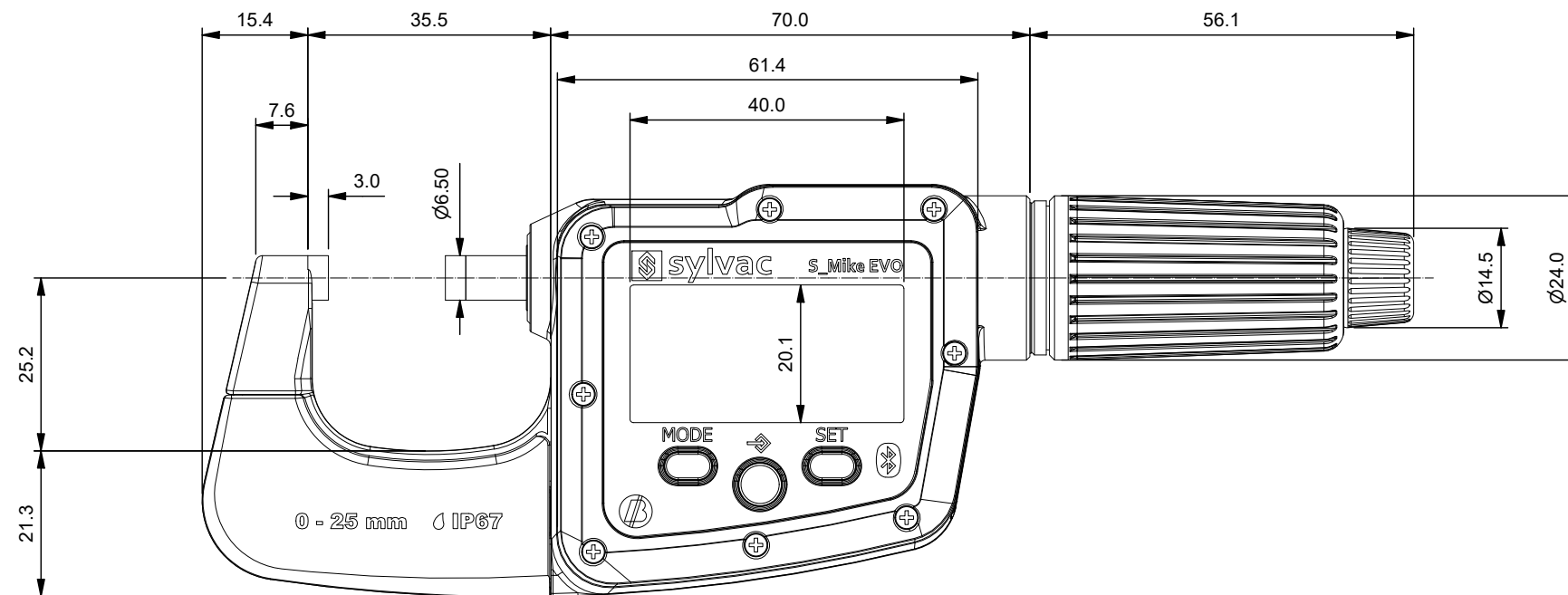
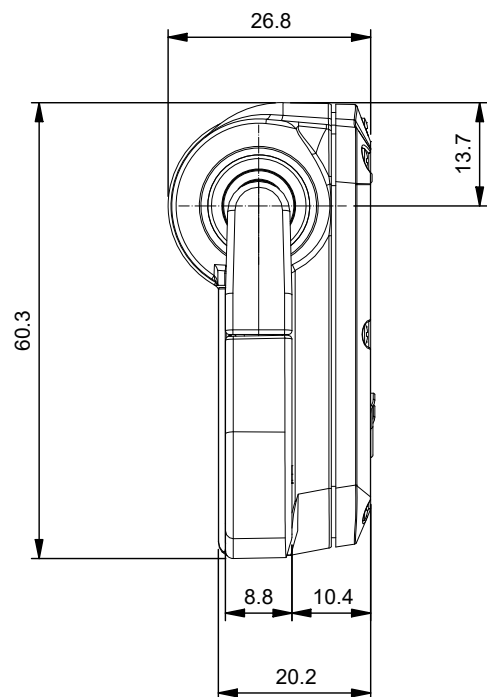
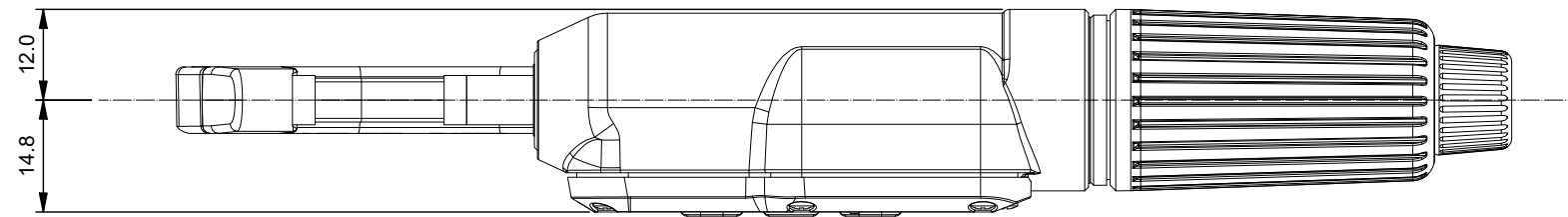


DRG. No	104-3-25-SYL
CAD DIR.	L:\BOWERS\GAUGING\EXTERNAL DIGITAL MIC\DigiMic Drawings\104-3-25-SYL.idw

DRG. LOCATION : -

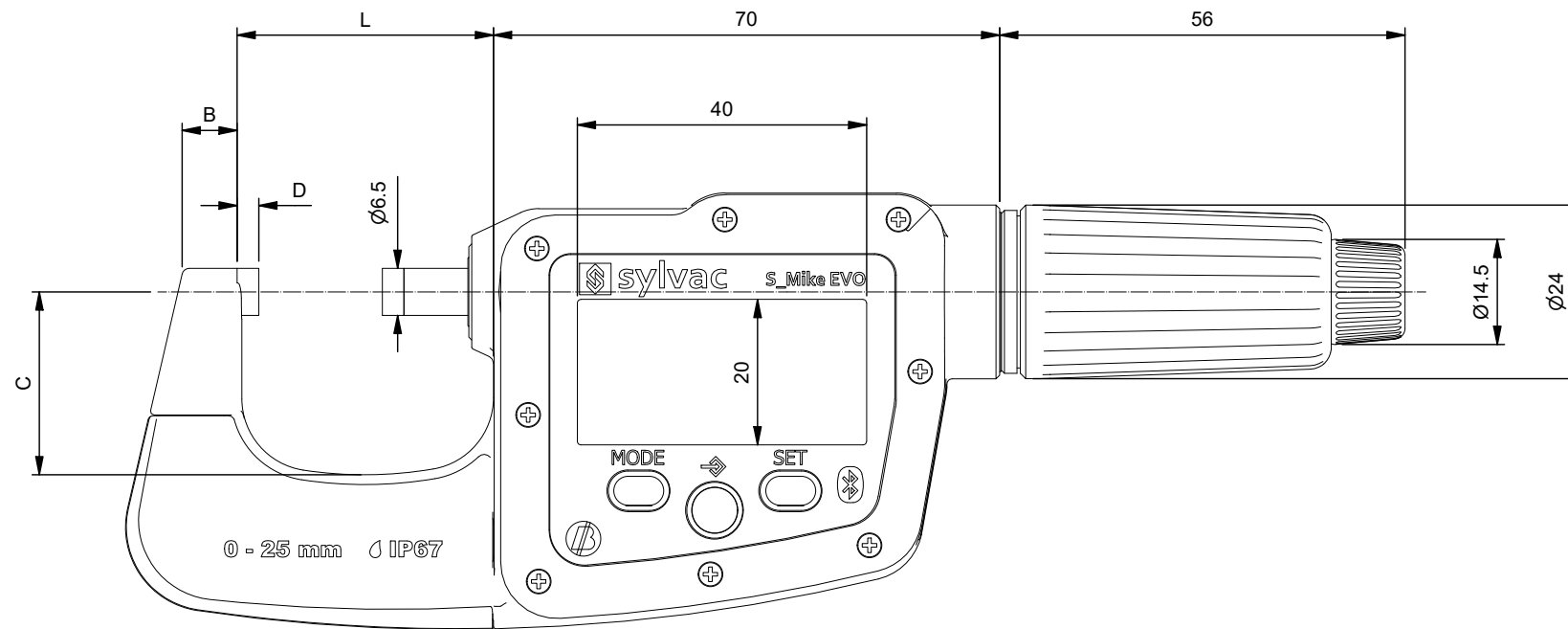
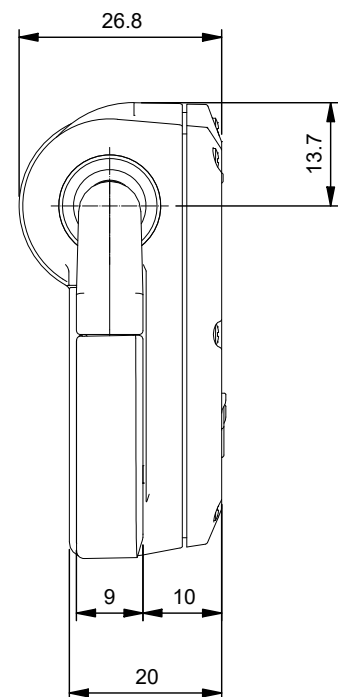
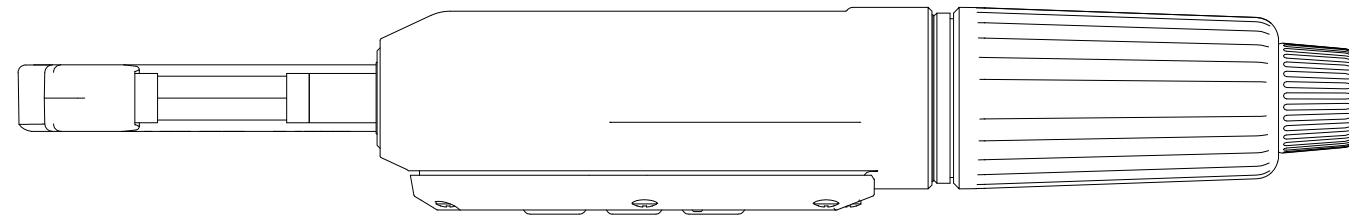


SHEET 1 OF 2 - DETAILED

A3	UNSPECIFIED DIMENSIONS LINEAR DIMENSIONS ± 0.10mm ANGULAR DIMENSIONS ± 0.1°	Bowers GROUP 32 Leeds Old Road, Bradford BD3 8HU		
	REMOVE ALL SHARP CORNERS	TITLE		
SCALE 1:1	DIMENSIONS IN MM 3rd ANGLE PROJECTION	OUTLINE DRAWING 0-25mm SYLVAC S_MIKE EVO		
SURFACE FINISH 1.6 µm CLA		DRAWN	C.KEIGHLEY	
SURFACE TREATMENT /		DATE	24/06/2021	Issue No.
HEAT TREATMENT /		DRG. No	104-3-25-SYL	01
MATERIAL /				

DRG. No	104-3-25-SYL
CAD DIR.	L:\BOWERS\GAUGING\EXTERNAL DIGITAL MIC\DigiMic Drawings\104-3-25-SYL.idw

DRG. LOCATION : -



SHEET 2 OF 2 - CATALOGUE

A3	UNSPECIFIED DIMENSIONS LINEAR DIMENSIONS ± 0.10mm ANGULAR DIMENSIONS ± 0.1°	Bowers GROUP 32 Leeds Old Road, Bradford BD3 8HU		
	REMOVE ALL SHARP CORNERS	TITLE		
SCALE 1:1	DIMENSIONS IN MM 3rd ANGLE PROJECTION	OUTLINE DRAWING 0-25mm SYLVAC S_MIKE EVO		
SURFACE FINISH 1.6 µm CLA		DRAWN	C.KEIGHLEY	
SURFACE TREATMENT /		DATE	24/06/2021	Issue No.
HEAT TREATMENT /		DRG. No	104-3-25-SYL	01
MATERIAL /				